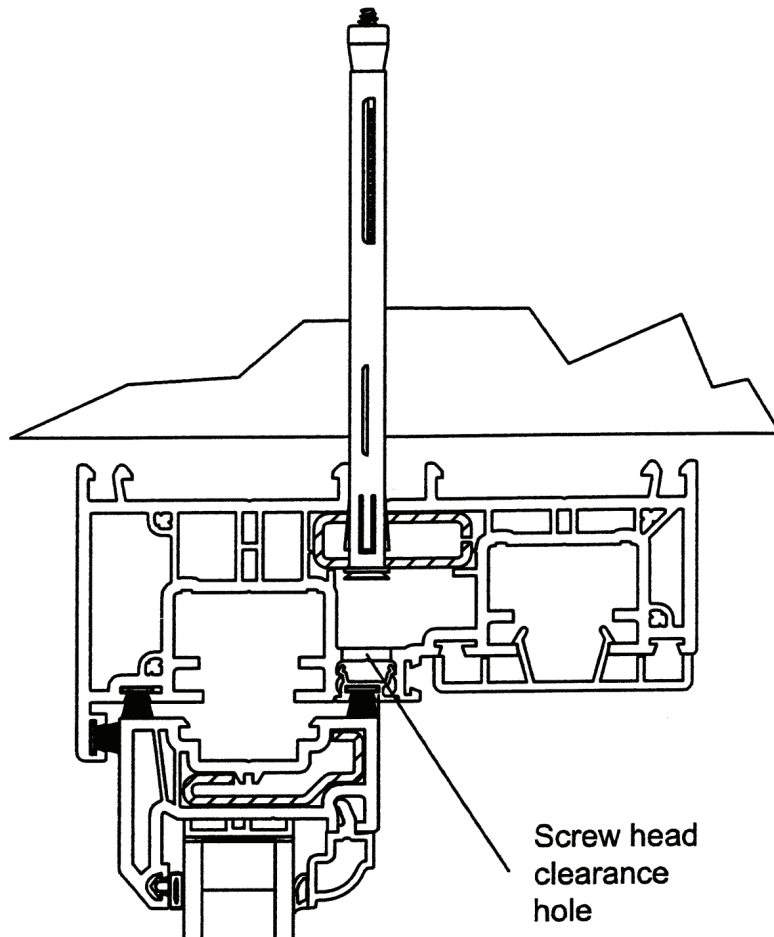


Fixings instructions for the REHAU Heritage MK II Vertical Slider



The fixing is achieved using purpose made fixing brackets or through the fixing chamber located in the center of the Outer Frame Profile. If expanding polyurethane foam is used as a gap filler it is recommended that temporary packing be placed between the frame and sashes to maintain the clearance gap whilst the foam cures.

If using the Anchor Fixing method, carefully remove fixing cover located in the center of Outer Frame, when all fixings have been secured replace fixing cover ensuring correct orientation (offset brush pile nearest to sash, see drawing). It is important that a fixing be made at the mid-point of the vertical frame. All anchoring materials should be protected from corrosion.

Particular care should be taken to ensure the relation of Sash to Frame is maintained. The maximum gap between sash and frame is 3.5mm +/- 1mm over the whole length.

These instructions must be observed to ensure the correct weather functioning of the wool piles and the smooth operation of the window.

When installation is complete fitters will need to fix the sashes in place using the black push in rivets supplied with your Vertical Sliding Window. These are applied into the tilt arms situated at the lower points of each internal sash rebate, this ensures the sashes remain in place during standard operation of the window.